

# NEWS 2020

NEW PRODUCTS  
PRODUCT CHANGES  
PRODUCT INFORMATION  
VALID FROM 1 APRIL 2020



# EDITORIAL

## BRING ON SUMMER!

Dear Partners,

Enclosed please find our catalogues, including the 2020 prices and conditions that will apply from 1 April.

Yet again, 2020 will be a year with many innovations and new ideas added to the product range of WO&WO Sunlight Design GmbH & Co KG.

A modern interpretation of the window shutter: with the sliding frame, we're adding a new system to our range of window shutters. Along with a wide array of design possibilities and installation options, the sliding frame offers both symmetrical and telescopic drive systems, and motor drive mechanism.

Compact fallbar, flush endpiece and system widths up to 6 metres – we've added the XLIGHT E150 to our range of under-glass awnings. On the following pages you'll find these two new products, and a whole host of other innovations and additions to our range.

Should you have any questions regarding these products, our professional team of area managers is on hand to support and advise you.

We wish you a great start to the 2020 season and every success moving forward. We look forward to continuing our productive and rewarding partnership.

with sunny best wishes,

The **WO**UNDWO Product Management Team



**Ing. Jürgen Stering**

Terrace awnings  
vertical awnings  
Indoor



**Mag. Christian Jud**

External Venetian blinds and  
standard external blinds  
Insect screens  
Internal blinds



**Robert Peissl**

Roller shutters  
Window shutters  
Controls

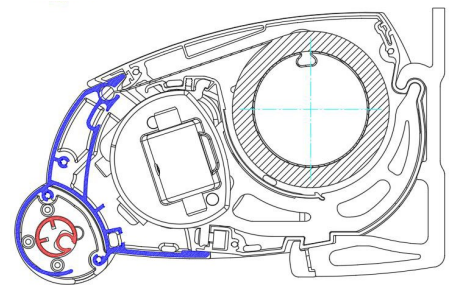


## TOPLINE CASSETTE – VARIOVOLANT

With our TOPLINE CASSETTE the variovolant is directly integrated into the fallbar.  
Thanks to the resultant weight saving, variovolant models projecting up to 4 metres are now possible.

### The Benefits To You At A Glance:

- Variovolant integrated into the fallbar
- Projections up to 4 metres
- Reduced overall weight for versions with variovolant



## UNDER-GLASS AWNING – XLIGHT E150

Our new XLIGHT E150 ticks all the boxes with a high level of installation flexibility (thanks to a wide range of mounting brackets) and an outstanding counterweight system, guaranteeing consistent fabric tension over the entire extended length.

### The Benefits To You At A Glance:

- Modern, cubic design
- Maximum system width up to 6m
- Tried-and-tested counter-tensioning technology
- Maximum extended length up to 5 m
- Flush endpiece, fallbar and guide rails
- Tape tensioner integrated into the fallbar
- Adjustable, end-to-end LED lighting

As part of this product enhancement, the maximum projection for the **XLIGHT R120** has also been increased to 5 metres.



## ADJUSTMENTS TO THE VERTICAL AWNING

- In the vertical awning model, the RAL fine structure option has been added to the colour chart
- Sattler Perfora fabric 387 from price group 2 has been discontinued
- The insect screen options have been discontinued for all vertical awnings
- The viewing window variant 2 – and adjustment of the window sizes – has been discontinued
- Modification of the tension bracket lengths for option MK-418 spring-mounted cord tensioner
- Extension of the max. dimensions (surface area) for Zipline R120 and E150

# AWNING INNOVATIONS

## CHANGE OF STANDARD OPERATING DRIVE

From April 2020, the standard drive will be changed to the Somfy io radio-controlled motor. The current standard drives Elero 868 (MK-337E) and Somfy RTS (MK-377S) for awnings, and Elero 868 (MK-339E) and Somfy RTS (MK-339S) for vertical awnings, are of course still available as an option.

In addition, the wired motor option has been changed to Elero (MK-378E) and Somfy WT (MK-378S).

In awnings, the Elero remote control package (MK-868) has also been added to the range,

### All Changes At A Glance:

- Somfy io radio-controlled motor now standard drive
- Elero 868 (MK-377E) and Somfy RTS (MK-377S) still available as options
- Elero (MK-378E) and Somfy WT (MK-378S) option for wired motors



## CHANGES TO WIND RESISTANCE CLASS

In our 2020 catalogue, wind resistance classes have been adjusted to bring them into line with current standards.

### Terrace awnings:

This entails the addition of Class 3 to the table of wind resistance classes.

### Vertical awnings:

The ZIPLINE is now generally subject to wind resistance class 0 (based on the BPVo). However, the specifications on the max. allowable wind speed now depend on the installation situation.

SMK WIND RESISTANCE CLASSES										
Wind force according to the Beaufort scale	9	8	7	6	5	4	3	2	1	0
Wind resistance class according to DIN EN 13561:2015	6	5	4	3	2	1				0
Wind speed in km/h	max. 88	max. 74	max. 61	max. 49	max. 38	max. 28	max. 19	max. 11	max. 5	max. 0

WIND-RESISTANT awnings and their components are designed and manufactured in compliance with DIN 18561. The various awning types are ranked according to their wind resistance class. Our product categories are classified as follows:

PRODUCT	SIDE GUIDE	WIND RESISTANCE CLASS (WRC) ACCORDING TO DIN EN 13561:2015
ZIPLINE P120, E120, R150, R16, R120	Guide rail with Zip	0
NOVOLINE E150, R122, E102	Guide rail	2
	Cord	2
MARKISOLETTE ROUND or SQUARE	Guide rail	2
OPENLINE	Guide rail	2 up to 3000 mm, above that 1
	Cord	2 up to 3000 mm, above that 1

WIND STRENGTH RECOMMENDATION ZIPLINE\*

Height	Width										
	1000	1500	2000	2500	3000	3500	4000	4500	5000	5500	6000
1000	24	24	24	24	21	21	21	21	21	17	17
1500	24	24	24	21	21	17	17	17	17	17	17
2000	24	24	21	21	17	17	13	13	13	13	13
2500	24	21	21	17	17	13	13	13	13	13	13
3000	24	21	17	17	13	13	13	13	13	13	10
3500	21	17	17	13	13	13	13	13	10	10	10
4000	21	17	13	13	13	13	10	10	10	10	10

Information in m/s – maximum speed

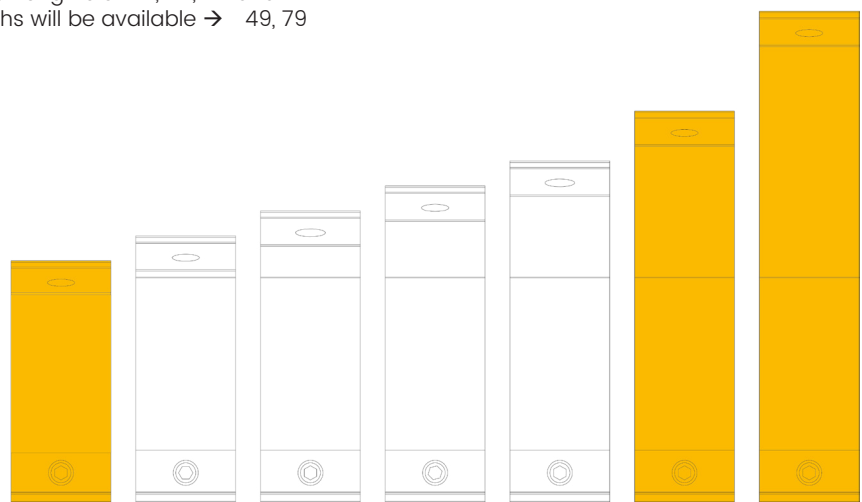
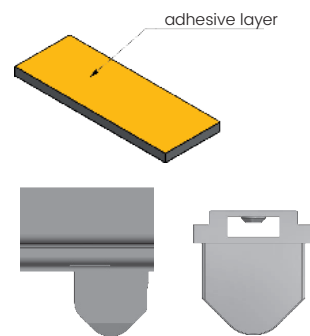
Levels	24	21	17	13	10	7	4
--------	----	----	----	----	----	---	---

\*All wind load limits apply for a gap of <100mm between the fabric and the glass surface. For reveal mounting, the value given in the table can be increased to the next largest value given (e.g. from 10 to 13) (maximum value 24m/s), up to a maximum width of 3000mm and a maximum height of 3000mm. For a fabric gap of >100mm + <200mm from the glass surface, the value given in the table must be reduced by 2 levels (e.g. from 24m/s to 17m/s), and for a fabric gap of >200mm + <300mm from the glass surface, the value given in the table must be reduced by 3 levels (e.g. from 24m/s to 13m/s). The table does not apply for larger gaps, or for free-standing systems.



## EXTERNAL VENETIAN BLIND AND STANDARD EXTERNAL BLIND

- From the start of this season, the new slat colour 8019 Taupe is available for all slat geometries. The slat colour VSR 330 Ruby will be discontinued in 2020.
- The headrail 58 x 56 mm is now optionally also available in extruded aluminium. – Option RS-163.
- From April, decoupling sheets with self-adhesive layer, which can be affixed to the SMT supports if required, will be enclosed with all SMTs (WO&WO quick-mounting supports).
- The edges of the plastic mounting shoe (motorised operation) and the edges of the plastic pins (crank operation) have been chamfered, making it much easier to mount the guide rail, e.g. with recess installation.
- A new electronic motor with two speeds of 26 / 6 rpm will be available from April, using option number RS/RL/JA-397. The established 35 / 6 rpm motor also remains in the range.
- Option RS-414 – Cord tensioner with spring retainer. To make it easier to tighten the guide cable in the cord-tensioned version, a new spring retainer is used. In the standard external blinds product line, we will be switching to this new spring retainer in the 2nd half of the year.
- In response to numerous customer requests and a great deal of positive feedback, we will be expanding our range of guide rail retainers in fixed lengths. From April, in addition to the established fixed-length retainer lengths of 54, 59, 64 and 69 mm, three further retainer lengths will be available → 49, 79 and 99 mm.



Retainer length	49 mm	54 mm	59 mm	64 mm	69 mm	79 mm	99 mm
Centre measure to middle guide rail	60 mm	65 mm	70 mm	75 mm	80 mm	90 mm	110 mm

## OUTSIDE INNOVATIONS

### EXTERNAL VENETIAN BLIND AND STANDARD EXTERNAL BLIND

- Also in response to customer feedback, the dimensions of our guide rail for reveal mounting (= flush-mounted guide track), 20 x 18 mm, option number RS-475, have been changed. The new guide rail has the dimensions 24 x 20 mm and can be ordered using option number RS-480. Thanks to the size adjustment, the new guide rail also allows greater installation tolerances. As a result of this change, the VOKA-SKY guide rails have been modified accordingly and have also been given new option numbers.
- To make it easier to order replacement guide rails, in the external Venetian blinds product area we have now added a corresponding guide rail kit to the range. (RS4-BS6 / RL4-BS6)
- The mechanical Somfy motor with option numbers JA-355 and JA-358SO is no longer available for the Diplomat 50 standard external blind. We announced in the 2019 catalogue that this motor will no longer be available from 2020. Unfortunately, there is no corresponding alternative motor.

NEW	RS-481	RS-483 RL-452	RS-482 RL-482	RS-484 RL-484	RL-451
	51 x 62.5 mm	75 x 62.5 mm	51 x 82.5 mm	75 mm / 82.5 mm	51 mm / 102.5 mm

OLD	RS-459	RS-461 RL-420	RS-460 RL-460	RS-462 RL-461	RL-462
	47x62.5 mm	67 x 62.5 mm	47 x 82.5 mm	67 x 82.5 mm	47 x 102.5 mm

## CONTROL INNOVATIONS

### CONTROLS

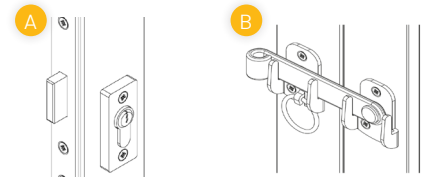
- The Somfy Situo io handheld transmitter is replaced by the Situo II
- The Somfy Telis Modulis RTS handheld transmitter is replaced by the Situo Variation.
- The Elero Centro Smart Home Central unit has been added to the range.
- Elero DC control and test cable and power supply unit for the installation and maintenance of the Elero solar-powered drives are also being added to the range.





## WINDOW SHUTTER

- Two new frame profiles (52 x 36 mm and 42 x 26 mm) have been added to our range of window shutter systems with mounting frame.
- In addition, a 'lockable with cylinder lock' option has been added to our two-leaf window shutter range to allow access, for example, from outside via French windows or patio doors. (A)
- A central locking mechanism for two-leaf window shutters has been added to the product range. (B)
- Insect screen:  
Integrated insect screen roller blind: the ViPer fabric is now the standard fabric.  
Integrated insect screen pivoting door and sliding frame: the tried-and-tested Istec system replaces the previous WSSS system.



### NEW: Mounting frame kit, loose

- A loose mounting frame with significantly enlarged frame dimensions (width up to 2600 mm / height up to 3200 mm) has been added to the range.

### NEW: Leaf kit, loose

- A loose leaf with significantly enlarged leaf dimensions (maximum widths: fixed and movable slat up to 1100 mm / smooth infill up to 1200 mm / board shutter infill up to 2000 mm and maximum heights up to 3200 mm) has been added to the range.

### New: Sliding frame:

- We are proud to present a product enhancement in our window shutter range, in the form of a sliding frame.
- The sliding frame comes in attractive design variants from one to four-leaf on one to four track levels, providing shading for an area with a maximum overall width up to 4600 mm and heights up to 3200 mm.
- We also offer a wide array of mounting options for ceiling, ground and wall installation for the sliding frame.
- Furthermore, a host of drive options, from freely movable operation to symmetrical or telescopic drive systems, right up to motor drive – including, if required, remote control (Elero 868 or Somfy io) – offer the ultimate in individuality.



# WE ARE SUNLIGHT DESIGN

WO&WO Sonnenlichtdesign GmbH & Co KG  
Hafnerstraße 193, 8054 Graz, AUSTRIA  
[www.woundwo.com](http://www.woundwo.com)

AUSTRIA  
T +43 (0)316 2807-0  
[office@woundwo.at](mailto:office@woundwo.at)

GERMANY  
T +49 (0)7152 3381130  
[office@woundwo.de](mailto:office@woundwo.de)

SWITZERLAND  
T +41 (0)71 955 04 80  
[office@woundwo.ch](mailto:office@woundwo.ch)

FRANCE  
T +33 (0)1 60 06 19 51  
[office@woundwo-france.com](mailto:office@woundwo-france.com)