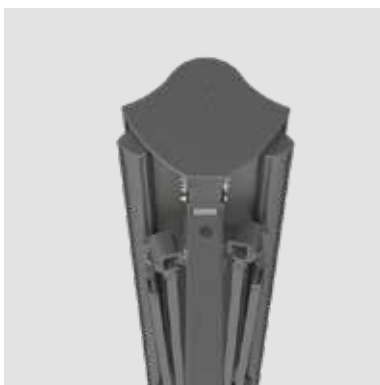


# LARGE SURFACE AWNING

WINGLINE  
WINGLIGHT



# FOR THAT EXTRA BIT OF SHADE



## WINGLINE

Freestanding, double-sided jointed arm awning which extends simultaneously to both sides and can shade areas of up to 58 m<sup>2</sup>.



## WINGLIGHT COMPACT

Freestanding, double-sided jointed arm awning which extends in synch to both sides and can shade areas of up to 38 m<sup>2</sup>.



## WINGLIGHT SOLID

Freestanding, double-sided jointed arm awning which extends asynchronously to both sides and can shade areas of up to 49 m<sup>2</sup>.



## ADVANTAGES

### UNBRIDLED INDEPENDENCE

Relaxing in the cool shade on a sunny day exactly where you want to: by the pool, at the barbecue or on your patio – not a problem thanks to our freestanding large-surface jointed arm awnings. This shading solution is mounted on two upright posts anchored to a fixed substrate, enabling more flexibility on installation. The best thing of all is that the wide range of high-quality fabrics and frame colours available will let you enhance the look of your garden at the same time.

Protect yourself from the sun, heat and prying eyes with our freestanding awning – positioned just where you want it to be. Manufactured in Austria, tailored to your requirements and made to the highest quality standards to guarantee your lasting enjoyment.

### A RANGE OF MOUNTING OPTIONS

You have various mounting options depending on your chosen model. The WINGLINE, for instance, with its galvanised and powder-coated steel support, can be screwed into the substrate using a base plate. The WINGLIGHT, meanwhile, offers no fewer than three mounting options: using a ground sleeve, a cantilever foot or a flanged plate screwed into the substrate.

### FIVE- OR SEVEN-YEAR WARRANTY

Just like all our awnings, the WINGLINE and WINGLIGHT series are CE-tested. High-quality and corrosion-resistant materials and coatings guarantee you a durable product which will enable you to enjoy every ray of sunshine.

## OPERATING OPTIONS

Choose between wired motor, radio-controlled motor or the Somfy io homecontrol\* radio-controlled motor, which allows seamless integration into a smart home system. Increase your comfort with a wind sensor and/or sun sensor.



230 V Motor



Radio motor



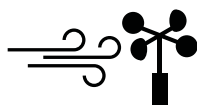
Smart Home

# HIGHLIGHTS AND ACCESSORIES



## SMART HOME

Products from **woundwo** can be installed flexibly and are compatible with a wide range of smart home systems – whether completely automated or operated via smartphone or remote control.



## WIND, LIGHT AND RAIN SENSOR

If limits for wind strength and light intensity are exceeded or fallen below, your product will automatically retract or extend. You can also control the reaction to rain – make your sun protection smart!

## RADIANT HEATING UNIT

On those cooler evenings, crank up the warmth with our stylish, high-performance infrared radiant heating units, which are attached either to the product or to the façade. Control your heating along with your shading system, by remote control!



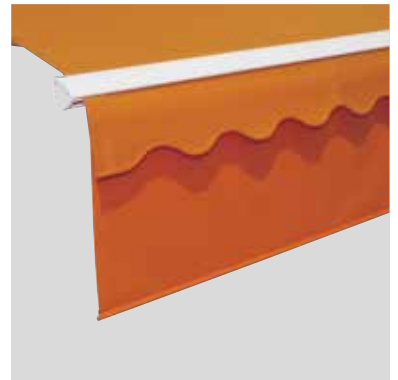
## STRONG ARMS

An excellent mechanism is particularly important for the reliability and durability of an awning. All **WOUNDWO** jointed arm awnings are well-engineered quality products with extremely strong arms. The jointed arm on the **WINGLINE** is equipped with a four-pulley system, while the **WINGLIGHT** series comes with a multiflex power belt and a double spring mechanism. These have undergone testing amounting to 70,000 guaranteed movement sequences and can withstand extreme loads.



## VARIOVOLANT / VARIOMOTION

A Variovolant is an additional valence on the front of the awning which can be extended vertically up to 1500 mm. The Variomotion is a vario valance (max. 1,350 mm) that is powered by a 24 V electric drive and that can be operated comfortably and ultra-quietly on the **WINGLINE** series via radio control. The **WINGLIGHT** can be operated using a hand crank.



## LIGHTVIEW LIGHT STRIP SYSTEM

### WINGLINE

Do you want more light on the patio? With our Lightview lighting system, no problem. A continuous light strip in naturally anodised aluminium profile brings up to 720 lumens of dimmable light per metre to your patio at the touch of a button. Better still: once fitted, the lighting strip can be rotated through +/- 45°.

### WINGLIGHT

The **WINGLIGHT**'s LED lighting can also be fitted in three different ways. You can attach the strip either on the inside or outside of the upright posts or even at all four of their corners. This gives you the freedom to choose the perfect arrangement and position your lights entirely to suit your needs.



# COLOURS DESIGNS AND FABRICS

## DESIGNS AND FABRICS

With a trained specialist dealer, take a look at the **WOUNDWO** collection and embark on a voyage of discovery – explore the range of colours, designs in plain colours, multi stripes and block stripes, and fabrics including acrylic and polyester.

### UV PROTECTION

Acrylic fabrics are high-quality awning fabrics which are equipped with a range of extras to make them ideal for demanding outdoor applications. The UV protection of the fabrics according to UV Standard 801 ranges from factor 40 to 80.

### TEXGARD – EASY-CLEAN

Due to a special textile finishing, these fabrics have particularly useful properties. These include low soiling tendency, high water resistance and a reduced surface tension. Due to the special way of fixing the material, this effect is maintained for an extraordinarily long time. This provides the best possible protection against water penetration, damp and dirt.

### LUMERA ALL-WEATHER

The All-Weather quality is reflected in a fabric manufactured from spun-dyed brand name acrylic and coated on one side. This combines optimal sun protection with protection from drizzle or light rain (inclination at least 14°).

### OEKO-TEX STANDARD 100

The Oeko-Tex Standard 100 is a testing and certification system which assures you that the textile products comply with the limit values for certain harmful pollutants.



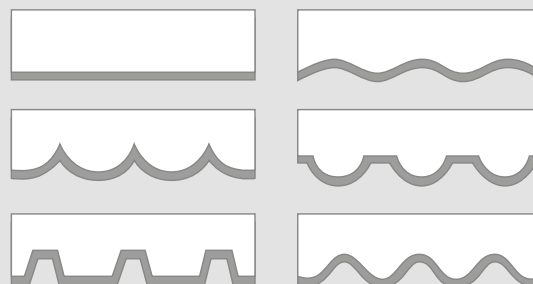
## FRAME COLOURS

With over 200 RAL frame colours and more than 350 fabrics, you can find your favourite awning at **WOUNDWO** – however unusual your requirements! There's a perfect awning model for virtually all dimensions and styles.



## VALANCE SHAPES

It's not just a question of choosing the awning fabric – you need to decide how the valance should look too. You have the choice of 6 different shapes and a wide range of colours for the edging strips.





# WINGLINE



**LARGE SURFACE AWNING**  
 Material in closed awning  
 Max. width 7,000 mm  
 (Indefinitely extendable)  
 Max. projection 2 x 4,500 mm

WINGLINE is a free standing, double sided jointed arm awning that opens synchronically to both sides. It can cover up surfaces of up to 58 m<sup>2</sup>. Its base is a central, sturdy mounting tube measuring 80 x 80 mm, to which two pairs of jointed arms are attached on opposite sides using special arm holders. The protective canopy consists of a 3-part extruded aluminium profile and is screwed onto the cast aluminium side panels. The entire awning is supported by two steel uprights, which are bolted into the sub-surface using outsized baseplates.

## THE BENEFITS TO YOU

- 7-year guarantee
- Awning fabric retracts fully into the cassette
- Standard io homecontrol radio motor
- smart control optional
- Optional Variovolant
- Optional LED light strip
- Infrared radiant heating unit as accessory
- over 200 RAL colours and more than 350 fabrics
- Fabrics weatherproof, dirt-repellent and light-fast
- good wind stability

## OPERATION



230 V Motor

Radio motor

Smart Home



## VARIO VALANCE

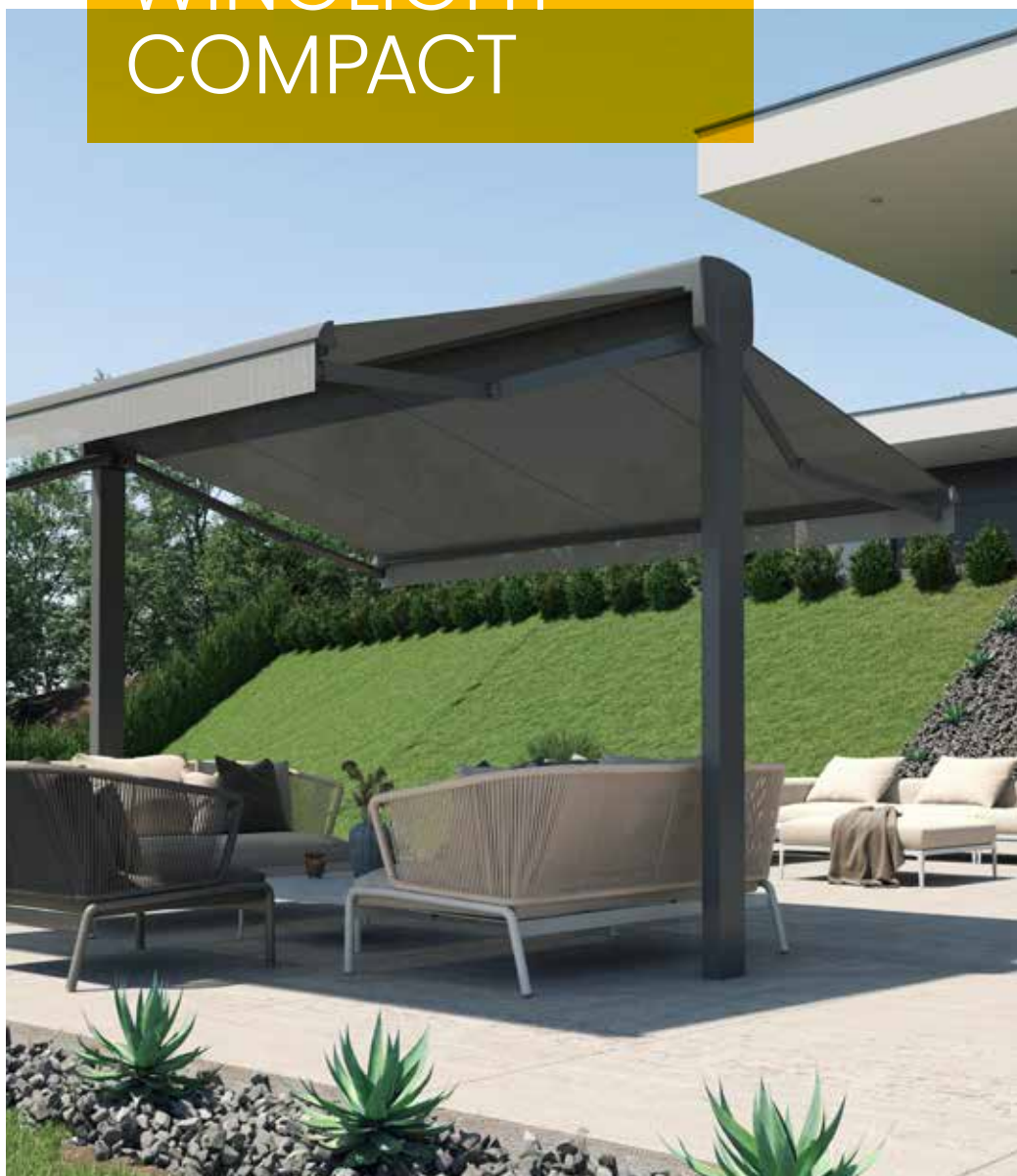
This additional awning fabric is integrated into the fall profile of jointed arm awnings. Whether motorised or equipped with a crank, Variovolant provides the ideal protection from low sun.



## STEEL UPRIGHTS

The whole awning is supported by two steel pillars that feature a large base plate which is firmly bolted to any solid ground.

# WINGLIGHT COMPACT



The WINGLIGHT COMPACT is a free-standing, double-sided jointed arm awning with one central roller tube and one motor drive, meaning that the awning fabrics extend in synch on both sides. The entire double-sided jointed arm awning is supported by two solid aluminium upright posts, which are bolted into the substrate using cantilever feet. The maximum shading area is 38,5 m<sup>2</sup>

## THE BENEFITS TO YOU

- 5-year guarantee
- 1 Roller tube, 1 motor
- Fixing with cantilever feet, flanged plates or ground sleeves
- Awning fabric retracts fully into the cassette
- Standard io homecontrol radio motor
- smart control optional
- Optional Variovalant
- Optional LED light strip in upright posts
- Infrared radiant heating unit as accessory
- over 200 RAL colours and more than 350 fabrics
- Fabrics weatherproof, dirt-repellent and light-fast
- good wind stability



230 V Motor



Radio motor



Smart Home



## LARGE SURFACE AWNING

Fabric in closed awning  
Max. width 5,500 mm  
Max. projection 2 x 3,500 mm  
Max. height 3,000 mm



## VARIO VALANCE

This additional awning fabric is integrated into the fall profile of jointed arm awnings. Whether motorised or equipped with a crank, Variovalant provides the ideal protection from low sun.



Ground sleeve

Cantilever foot

Flanged plate

## INSTALLATION VARIANTS

Standard version with cantilever feet, can alternatively be fixed to the substrate with either two flanged plates or two ground sleeves





# WINGLIGHT SOLID



## LARGE SURFACE AWNING

Fabric in closed awning  
Max. width 7,000 mm  
Max. projection 2 x 3,500 mm  
Max. height 3,250 mm

The WINGLIGHT SOLID is a free-standing, double-sided jointed arm awning with two roller tubes and two motor drives, enabling the two sides of the awning to be operated individually and the awning fabrics to be extended separately. The entire double-sided jointed arm awning is supported by two solid aluminium upright posts, which are bolted into the substrate using flanged plates. The maximum shading area is 49 m<sup>2</sup>.

### THE BENEFITS TO YOU

- 5-year guarantee
- 2 Roller tubes, 2 motors
- Fixing with flanged plates, cantilever feet or ground sleeves
- Awning fabric retracts fully into the cassette
- Standard io homecontrol radio motor
- smart control optional
- Optional Variovalant
- Optional LED light strip in upright posts
- Infrared radiant heating unit as accessory
- over 200 RAL colours and more than 350 fabrics
- Fabrics weatherproof, dirt-repellent and light-fast
- good wind stability

### OPERATION



230 V Motor



Radio motor



Smart Home



## VARIO VALANCE

This additional awning fabric is integrated into the fall profile of jointed arm awnings. Whether motorised or equipped with a crank, Variovalant provides the ideal protection from low sun.



Ground sleeve

Cantilever foot

Flanged plate

## INSTALLATION VARIANTS

Standard version with flanged plates, can alternatively be fixed to the substrate with either cantilever feet or ground sleeves



## SUNLIGHT DESIGN – MADE IN AUSTRIA:

Here at **WOUNDWO**, and our specialist trade partners, we understand that sun protection means more than just “shading”: In the development and in the marketing of our products, our focus is always on the connection between optimal functionality and the highest possible durability, and the combination of individual requirements with attractive design. That’s why all our products are individually custom-made. Whether you are looking to fit out your patio or façade, a window, a balcony, a flat or an entire house; whether you are looking for an awning, venetian blind, roller blind, shutters or interior solutions – the product range of the full-range supplier **WOUNDWO** offers the right answer!

Improve your quality of life, treat yourself to true comfort, save energy, protect your privacy. Enjoy not just any sun protection product, but your own individual one – all that and more, with **WOUNDWO** sun protection!

## THE RANGE

- JOINTED ARM AWNINGS
- VERTICAL AWNINGS
- TERRACE AWNINGS
- SIDE WALL AWNINGS
- PATIO ROOFS
- VENETIAN BLINDS AND EXTERIOR BLINDS
- ROLLER SHUTTERS
- WINDOW SHUTTER
- INSECT PROTECTION
- SUN PROTECTION INSIDE



# PRODUCT OVERVIEW

PRODUCT	WINGLINE	WINGLIGHT COMPACT	WINGLIGHT SOLID
Width*	2,000 -7,000 mm	2,000 -5,500 mm	2,000 -7,000 mm
Projection*	2 x 1,500 - 4,500 mm	1,500 - 3,500 mm	1,500 - 3,500 mm
Frame colours	All RAL K7 CLASSIC colours	All RAL K7 CLASSIC colours	All RAL K7 CLASSIC colours
Standard operation	io homecontrol radio motor	io homecontrol radio motor	io homecontrol radio motor
Maximum angle of inclination depending on wall or ceiling fitting	40°	30°	30°
radio motor	✓	✓	✓
Motor wired	✓	✓	✓
Valance height 200 mm	✓	✓	✓
Valance height 210-700 mm	✓	✓	✓
Variovolant with crank	✓	✓	✓
LED light strip	✓	✓**	✓***
Heating system	✓	✓	✓
Sun and wind sensor	✓	✓	✓
Winter protection cover	✓	✓	✓

\* Depending on product design

\*\* Can be done on the inside or outside of the upright posts, at all four of their corners

\*\*\*Can be done on the inside or outside of the upright posts, at all four of their corners and along the entire length of the support tube

# WE ARE SUNLIGHT DESIGN

WO&WO Sonnenlichtdesign GmbH & Co KG  
Hafnerstraße 193, 8054 Graz, AUSTRIA  
[www.woundwo.com](http://www.woundwo.com)

YOUR **WOUNDWO** DEALER

© **WOUNDWO**, Q2 2023